

Communications & Power Industries Magnetron



A magnetron is a high power microwave oscillator in which the potential energy of an electron cloud near the cathode is converted into RF energy in a series of cavity resonators. The VMS1197B magnetron delivers high peak and average RF power for use in medical or industrial applications.

The VMS1197B will mount directly into new and existing sockets and can be operated under various pulse and input conditions to accommodate wide ranging operating requirements. In addition to high power, the VMS1197B provides excellent frequency stability, low jitter and long life.

FEATURES:

- Frequency 2.7 - 2.9 GHz
- Peak power output 750 kW min.
- Duty cycle 0.001
- Air cooled
- Mechanically tunable

BENEFITS:

- Long life
- Exceptional frequency stability
- High power

APPLICATIONS:

- Weather radars

CPI S-Band 750 kW Magnetron VMS1197B

Electrical Specifications

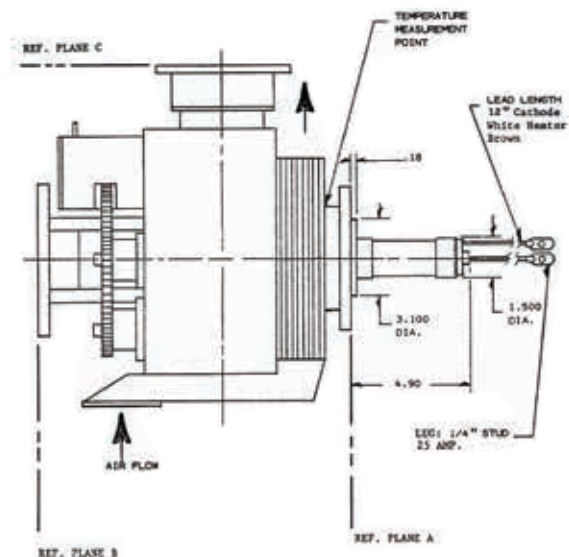
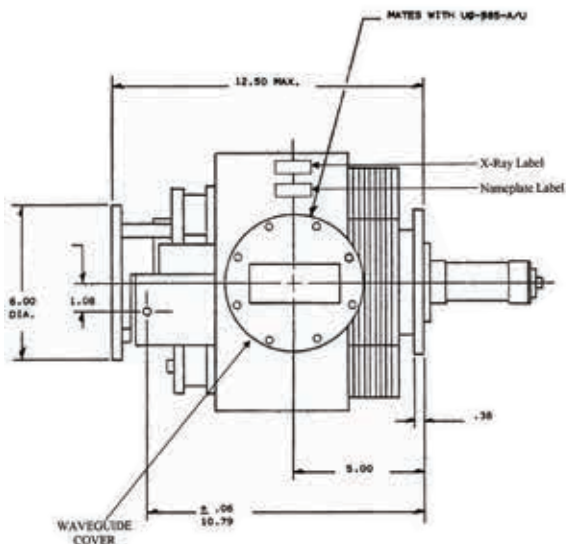
Frequency	2.7 – 2.9 GHz
Peak power output	750 kW
Average power output	750 W
Pulse voltage	29.0 – 35.0 kV
Peak anode current	75 A
Average anode current	39.4 mA
Pulse width	4.0 μ S
Duty cycle	0.001
Maximum filament voltage	11 V
Maximum filament current	22 A
Minimum warm-up time	480 S
Maximum load VSWR	1.3:1

Mechanical and Environmental Specifications

Cooling	Forced air
Maximum body temperature	120°C
Mounting position	Any
Support	Mounting flange
Coupling	WR 284 mates with UG585A/U choke flange
Weight	75 lbs. (34.02 kg)

With a history of producing high quality products, we can help you with your magnetron.

Contact us at BMDMarketing@cpil.com or call us at +1 978-922-6000.



Beverly Microwave Division
150 Sohler Road
Beverly, Massachusetts
USA 01915

tel +1 978-922-6000
email BMDMarketing@cpil.com
fax +1 978-922-8914
web www.cpii.com

For more detailed information, please refer to the corresponding CPI technical description if one has been published, or contact CPI. Specifications may change without notice as a result of additional data or product refinement. Please contact CPI before using this information for system design.

©2020 Communications & Power Industries LLC. Company proprietary; use and reproduction is strictly prohibited without written authorization from CPI.